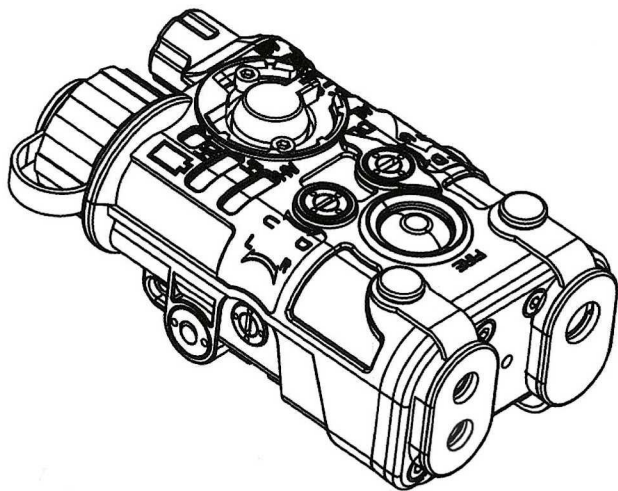




element airsoft

# OPERATOR MANUAL

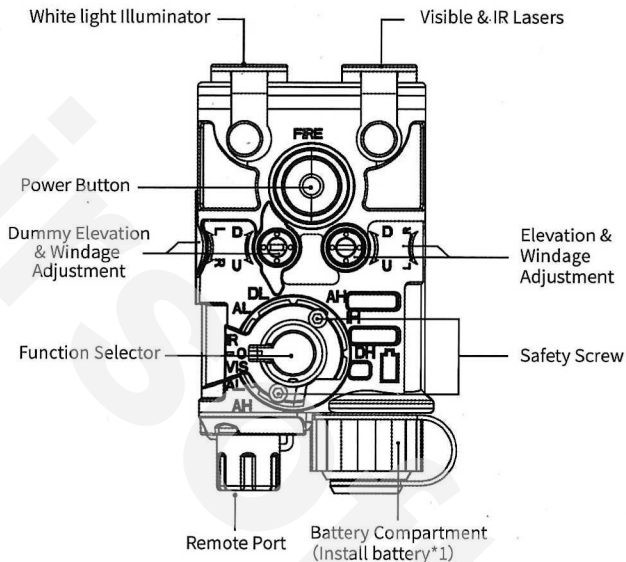
## FOR THE NEXT GENERATION AIMING LASER L3-NGAL



Be sure to read this user's manual thoroughly before use, and follow them for correct use.

G0490

### TOP VIEW



White light Illuminator  
白光照明

Dummy Elevation & Windage  
Adjustment(仿真纵/横向调节旋钮)

Power Button  
电源开关

Battery Compartment  
(Install battery\*1)  
電池倉(可容納壹顆電池)

Visible & IR Lasers  
可見鐳射照準與不可見鐳射照準

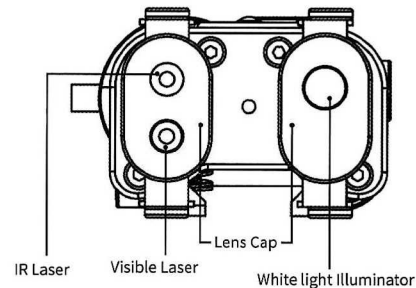
Elevation & Windage  
Adjustment  
纵/横向调节旋钮

Function Selector  
功能選擇轉盤

Remote Port  
外接線控插口

Safety Screw  
安全螺絲

### FRONT VIEW



Visible Laser  
可見鐳射照準

IR Laser  
不可見鐳射照準

Lens Cap  
保護蓋

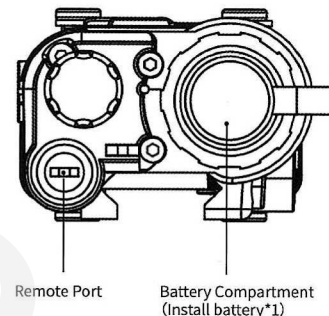
White light Illuminator  
白光照明

### [WARNING]

Do not shine bright light and laser light on your eyes to avoid unnecessary injury. Seek immediate medical attention in case of any eye injury.


### [警告]

強光和鐳射請勿照射到眼睛，以免發生不必要的傷害。萬一眼睛受到傷害，請立即就醫。




Battery Compartment  
(Install battery\*1)  
電池倉(可容納壹顆電池)


Remote Port  
外接線控插口



MFR: 202101  
P/N: PGS-2021  
S/N: 20210115  
DATE: 210101



MFR: 202101  
P/N: PGS-2021  
S/N: 20210115  
DATE: 210101



**CAUTION: THIS LASER PRODUCT HAS BEEN EXEMPTED FROM FDA STD PER EXEMPTION(PGS-01300,7112) THIS PRODUCT SHOULD NOT BE USED WITHOUT ADEQUATE PROTECTIVE DEVICES OR PROCEDURES. DO NOT SELL TO THE PUBLIC.**

**VISIBLE AND INVISIBLE LASER RADIATION EMITTED FROM THESE APERTURES**

**② DANGER**

AVOID EXPOSURE TO BEAMS MAX NHOHD 524 METERS MULTIPLE LASERS  
A/M WAVELENGTH: 635nm | 840nm  
PEAK POWER: 7mW | 10mW  
CLASS 1A

**VISIBLE AND INVISIBLE LASER RADIATION EMITTED FROM THESE APERTURES**

**② DANGER**

AVOID EXPOSURE TO BEAMS MAX NHOHD 524 METERS MULTIPLE LASERS  
A/M WAVELENGTH: 635nm | 840nm  
PEAK POWER: 7mW | 10mW  
CLASS 1A

**FOR L3-NGAL**

**VISIBLE AND INVISIBLE LASER RADIATION EMITTED FROM THIS APERTURE**

**① DANGER**

AVOID EXPOSURE TO BEAMS MAX NHOHD 497 METERS MULTIPLE LASERS  
ILLUM WAVELENGTH: 850nm  
PEAK POWER: 10mW  
CLASS 1A

**VISIBLE AND INVISIBLE LASER RADIATION EMITTED FROM THIS APERTURE**

**① DANGER**

AVOID EXPOSURE TO BEAMS MAX NHOHD 497 METERS MULTIPLE LASERS  
ILLUM WAVELENGTH: 850nm  
PEAK POWER: 10mW  
CLASS 1A

**G0489**

**VISIBLE AND INVISIBLE LASER RADIATION EMITTED FROM THIS APERTURE**

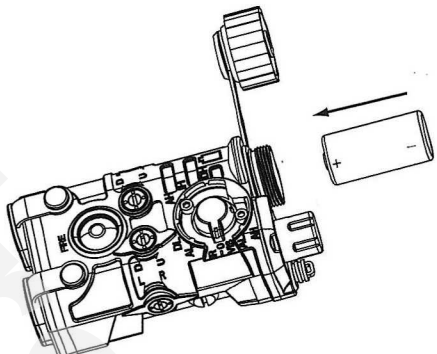
**① DANGER**

AVOID EXPOSURE TO BEAMS MAX NHOHD 497 METERS MULTIPLE LASERS  
ILLUM WAVELENGTH: 850nm  
PEAK POWER: 10mW  
CLASS 1A

**VISIBLE AND INVISIBLE LASER RADIATION EMITTED FROM THIS APERTURE**

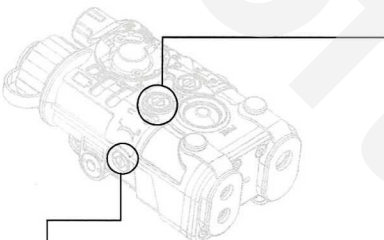
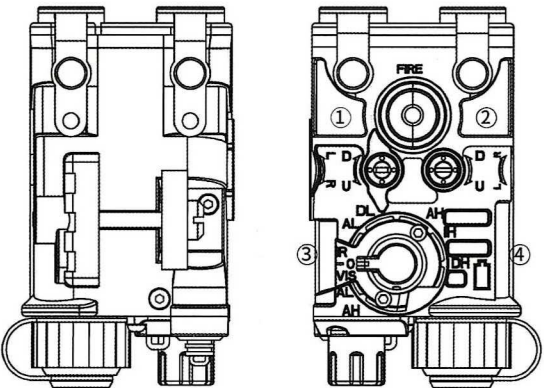
**① DANGER**

AVOID EXPOSURE TO BEAMS MAX NHOHD 497 METERS MULTIPLE LASERS  
ILLUM WAVELENGTH: 850nm  
PEAK POWER: 10mW  
CLASS 1A



Insert 1 battery as shown, note the direction of the battery "+" side.  
如圖所示插入壹顆電池，留意電池正極的方向。

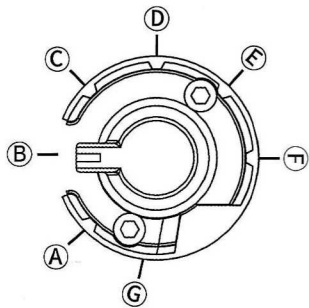
LASER ADJUSTMENT



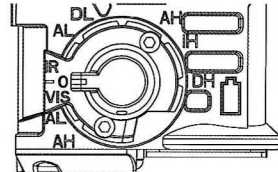
**Elevation Adjustable:**  
縱向調節：  
"U" for clockwise to turn the pointer up  
"U" 表示順時針轉動能調節鐳射照準點向上移  
"D" for anti clockwise for turn the pointer down  
"D" 表示逆時針轉動能調節鐳射照準點向下移

**Windage Adjustable:**  
橫向調節：  
"L" for clockwise to turn the pointer left  
"L" 表示順時針轉動能調節鐳射照準點向左移  
"R" for anti clockwise to turn the pointer to right  
"R" 表示逆時針轉動能調節鐳射照準點向右移

**CAUTION: Over-turn will damage the adjustment function, you just need a little angle turning every time to set the pointer as your request.**  
注意：過量轉動調節鈕會損壞調節功能，您僅需每次小角度轉動調節即可達到效果。



- 該轉盤有7個檔位：
- |                                    |                                      |                                 |
|------------------------------------|--------------------------------------|---------------------------------|
| A: White light Illuminator<br>白光照明 | D: IR Laser<br>不可見鐳射照準               | F: Hi power IR laser<br>高功率IR鐳射 |
| B: system OFF<br>系統關閉              | E: Hi power visible laser<br>高功率可見鐳射 | G: White light strobe<br>白光頻閃   |
| C: Visible Laser<br>可見鐳射照準         |                                      |                                 |



**Quickboot mode:**  
In boot mode, double-click the switch button to start white light + high-power visible laser mode  
快速啟動模式：  
在啟動模式下，雙擊開關按鈕可啟動白光+高功率可見鐳射模式



HPPT://WWW.ELEMENTAIRSOFT.COM/